

BEAMER

Directional Antenna

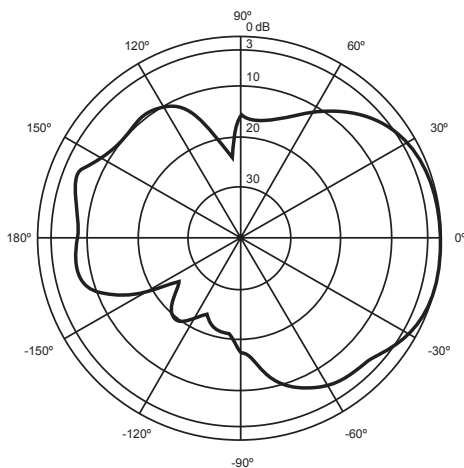
UHF



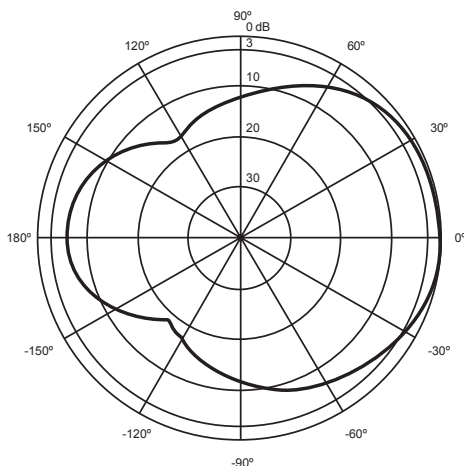
CDX-P80/5 806866

Type	Panel
Frequency	806-866 MHz
Gain	5dBd
3dB Beamwidth Vertical	E-plane 73° at 836 MHz
3dB Beamwidth Horizontal	H-plane 77° at 836 MHz
Downtilt	0°
Front to Back Ratio	>6dB
VSWR at res. frequency	<1.2:1
Impedance	50 ohm
Polarisation	Vertical
Power Rating	20 watt
Working Temperature	-30°C ~ +80°C
Wind Resistance	150km/h
Lightning Protection	DC Ground
Connector	Pigtail - N Female
Radome Material	ABS UV Stabilized
Dimension	Approx. 226 x 90 x 232 mm
Weight	Approx. 0.8kg

VERTICAL RADIATION PATTERN



HORIZONTAL RADIATION PATTERN



SWR CHART

Model: CDX-P80/5 806866

